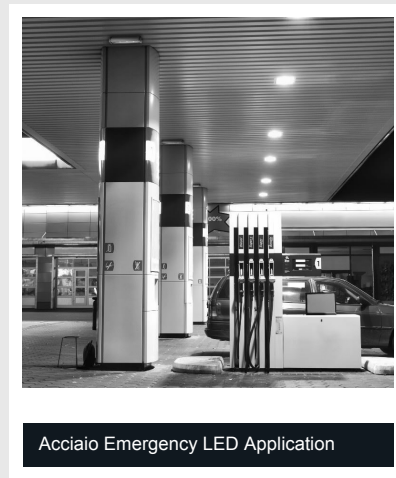
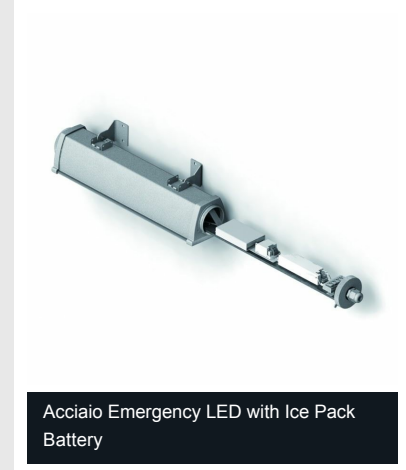


ACCIAIO EMERGENCY LED



Acciaio Emergency LED



Acciaio Emergency LED is the answer where strong luminaires are required for particularly demanding applications in high risk areas.

The steel housing and glass diffuser present both excellent mechanical resistance (IK09) and resistance to aggressive chemical agents.

In the industrial context, it is perfect for installations in explosive atmosphere environments created by alterations in gassy substances and the presence of air suspended combustible powder (pursuant to ATEX 2014/34/EU regulation for zones 02 and 22).

Acciaio Emergency LED is a waterproof luminaire and suitable for heavy-duty use in outdoor environments directly exposed to inclement weather. It is designed to resist mechanical vibrations and electromagnetic disturbances typical of industrial environments.

The optic system is composed of a diffuser subdivided into 4 cells for optimal light distribution, and a special micro-prismatic glass with very high light transmittance for greater visual comfort.

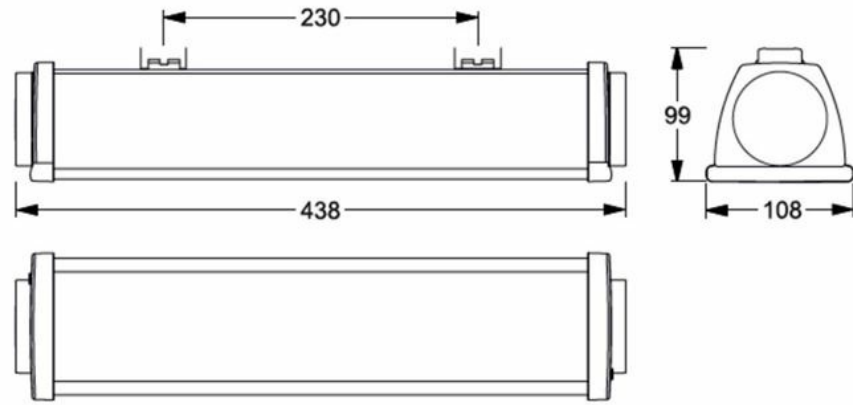
Thanks to special steel brackets the Acciaio Emergency LED can be oriented to be positioned as required. The compatible Ice Pack accessory (to be ordered separately) warms the battery and permits installation in sites with temperatures as low as -40°C.

Product category: Luminaires, Exit Signs

FEATURES

Application	Production, Industrial Areas
Colours (RAL)	Grey RAL 7035
IK Rating	IK09
IP Rating	IP66
Material	Polyester Powder Coated Steel Sheet
Mounting Options	Wall, Ceiling, Suspension, Electrified Rail
Norms	EN 60598-1, EN 60598-2-2, EN60598-2-22, EN 1838, EN50172, ATEX 2014/34/EU, ATEX Classification CE EX II 3G Ex nA IIB T4 Gc, CE EX II 3D Ex tc IIIC T80° Dc
Visibility (m)	38m
Voltage (v)	230v, 24v DC*

*Sicuro24 System



Surface wall and ceiling mounting

ACCESSORIES SUPPLIED

Order Code	Description
20122	Adjustable Brackets for Wall Installation

TO BE ORDERED SEPARATELY

Order Code	Description
19046	Ice Pack Battery*
19064	Kit of Exit Sign Display Panes (Down/Right/Left)
12101	Remote Control (RM INHIBIT FUNCTION)

*For part numbers 15030 & 15031 only. Accessory to warm battery & maintain it in correct working temperature range. Ice pack is controlled through an electronic circuit that is able to maintain a constant battery temperature. The absorption of the ice pack depends on the environmental temperature (with Ta=-40°C Pmax= 6w).

CONTROL SYSTEM ORDER CODES

AUTO-TEST

Part No.	Description	Emergency Operation Mode	Duration	Battery	Power Consumption	Luminous Flux in NM	AR Luminous Flux in NM	Luminous Flux in M	Ambient Temp	Protection Class	Net Weight
15030	Acciaio Emergency LED 24W	MNM	1-3h	NiMh 7.2V 1.2Ah	4/4.5W	400/275/200lm	-	220lm	0 ÷ +50 °C/ -40 ÷ +50 °C with Ice Pack (NM), 0 ÷ +40 °C/ -40 ÷ +40 °C with Ice Pack (M)		1.4kg
15032	Acciaio Emergency LED Granluce 24W	NM	1-3h	NiMh 7.2V 1.7Ah	1.7W	800/400/270lm	-	-	0 ÷ +50 °C		1.5kg

LOGICA SELF CONTAINED WIRED CENTRAL TESTING & MONITORING SYSTEM

Part No.	Description	Emergency Operation Mode	Duration	Battery	Power Consumption	Luminous Flux in NM	AR Luminous Flux in NM	Luminous Flux in M	Ambient Temp	Protection Class	Net Weight
15030	Acciaio Emergency LED 24W	M/NM	1-3h	NiMh 7.2V 1.2Ah	4/4.5W	400/275/200lm	-	220lm	0 ÷ +50 °C/ -40 ÷ +50 °C with Ice Pack (NM), 0 ÷ +40 °C/ -40 ÷ +40 °C with Ice Pack (M)		1.4kg
15032	Acciaio Emergency LED Granluce 24W	NM	1-3h	NiMh 7.2V 1.7Ah	1.7W	800/400/270lm	-	-	0 ÷ +50 °C		1.5kg

LOGICA FM SELF CONTAINED WIRELESS CENTRAL TESTING & MONITORING SYSTEM

Part No.	Description	Emergency Operation Mode	Duration	Battery	Power Consumption	Luminous Flux in NM	AR Luminous Flux in NM	Luminous Flux in M	Ambient Temp	Protection Class	Net Weight
15031	Acciaio Emergency LED 24W	M/NM	1-3h	NiMh 7.2V 1.2Ah	4/4.5W	400/275/200lm	-	220lm	0 ÷ +50 °C / -40 ÷ +50 °C with Ice Pack (NM), 0 ÷ +40 °C / -40 ÷ +40 °C with Ice Pack (M)		1.4kg
15033	Acciaio Emergency LED Granluce 24W	NM	1-3h	NiMh 7.2V 1.7Ah	1.7W	800/400/270lm	-	-	0 ÷ +50 °C		1.5kg

EVG NON ADDRESSABLE SLAVE LUMINAIRES

Part No.	Description	Mains Supply	Battery Supply	Power Consumption W	Power Consumption VA	Luminous Flux	Ambient Temp	Protection Class	Net Weight
TB17452	Acciaio Emergency LED Non Addressable Luminaire	198 V – 254 V / 50 Hz	176 V – 276 V	14W	16VA	800/1600lm	-40°C to + 40°C	I	1.4kg

ALOG 216V AC/DC CENTRALISED BATTERY SYSTEM

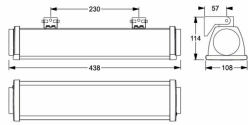
Part No.	Description	Mains Supply	Battery Supply	Power Consumption W	Power Consumption VA	Luminous Flux	Ambient Temp	Protection Class	Net Weight
TB17455	Acciaio Emergency LED Addressable Luminaire	198 V – 254 V / 50 Hz	176 V – 276 V	6.4W	11VA	400lm	-40°C to +40°C	I	1.4kg

SICURO 24V DECENTRALISED BATTERY SYSTEM

Part No.	Description	Mains Supply	Battery Supply	Power Consumption W	Power Consumption VA	Luminous Flux	Ambient Temp	Protection Class	Net Weight
32092	Acciaio Emergency LED 24V Addressable Luminaire	24 V +/- 20% DC	24 V +/- 20% DC	8.0W/16.0W	-	800/1600lm	-20 °C to + 40 °C	III	1.4kg
32055	Acciaio LED Single/Double Sided Exit Sign : 38m VD	24 V +/- 20% DC	24 V +/- 20% DC	4.3W	-	-	-20 °C to + 40 °C	III	1.4kg

SICURO 230 216V AC/DC CENTRALISED BATTERY SYSTEM

Part No.	Description	Mains Supply	Battery Supply	Power Consumption W	Power Consumption VA	Luminous Flux	Ambient Temp	Protection Class	Net Weight
31053	Acciaio Emergency LED Addressable Bulkhead	198 V – 254 V / 50 Hz	176 V– 276 V	22.8W	25.0VA	1600lm	-20 °C to + 40 °C		1.4kg
31054	Acciaio LED Single/Double Sided Exit Sign : 38m VD	198 V – 254 V / 50 Hz	176 V– 276 V	4.7W	9.4VA	-	-20 °C to + 40 °C		1.4kg



**Surface wall and ceiling mounting
(swiveling)**