

COMPLETA LED



Completa LED



Completa LED



Completa LED Surface Wall Mounted



Completa LED Recessed Wall Mounted



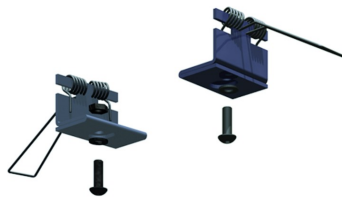
Completa LED Recessed Box



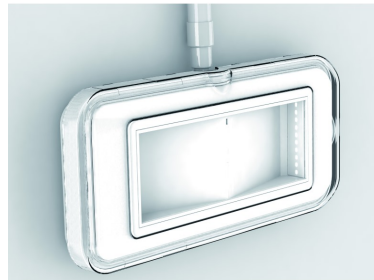
Completa LED Surface Ceiling Mounted



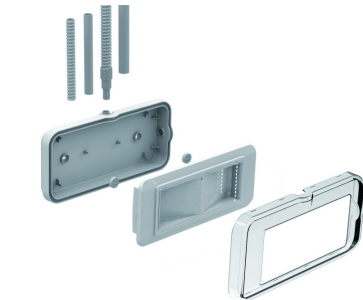
Completa LED Recessed Ceiling Mounted



Completa LED False Ceiling Bracket



Completa LED with IP66 Kit



Completa LED IP66 Kit



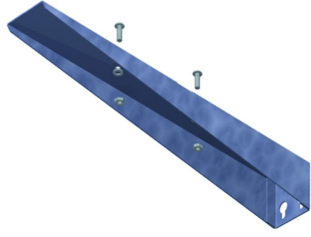
Completa LED Exit Recessed Wall Mounted with Adhesive Diffuser



Completa LED Exit Recessed Ceiling Mounted with Exit Sign Flag



Completa LED Exit Wall Bracket Mounted with Exit Sign Flag



Completa LED Wall Bracket



Completa LED Application

Emergency luminaire offering extreme flexibility of use. Thanks to a symmetrical and extremely uniform illumination, the Completa LED can be wall, ceiling, double sided and recessed mounted, without a specific direction.

The Polycarbonate housing contains a dual reflection optic which in turn integrates two series of ultra-efficient LEDs. The screen is made from methacrylate. The housing has numerous pre drilled inlets for direct assembly on the most widely-available types of connector blocks and recessed boxes.

Double sided screen version available for wall, ceiling and bracket mounting.

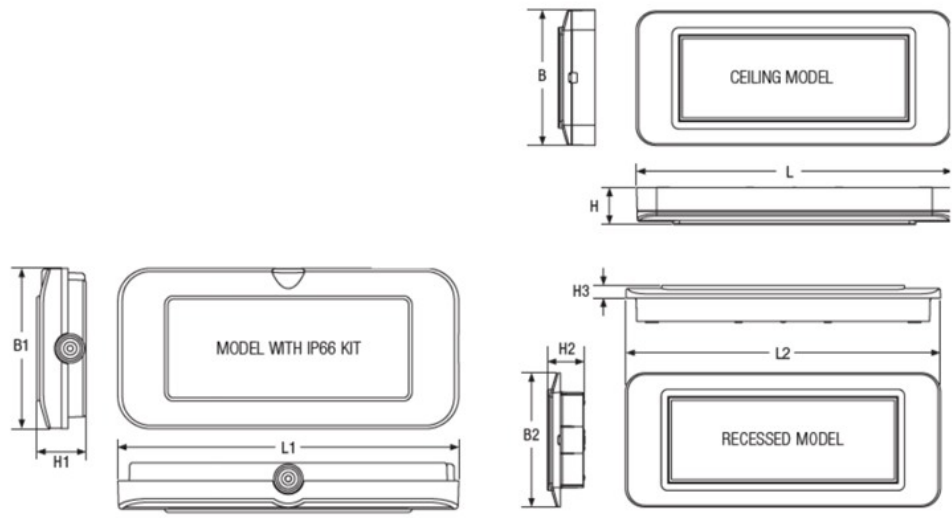
Furthermore, IP66 and IK07 grade protection can be achieved via the IP66 shell kit (to be ordered separately). The standard 1hr lighting autonomy can be extended to 1.5 hours, 2 hours, 3 hours or even 8 hours, using the appropriate Opticom Technology app which automatically adjusts the luminous flux.

Product category: Luminaires, Exit Signs

FEATURES

Application	Offices, Public Areas, Industrial, Areas, Emergency Lighting
Colours (RAL)	White RAL 9003
IK Rating	IK05, IK07
IP Rating	IP40, IP66
Material	Polycarbonate
Mounting Options	Wall, Wall Bracket, Ceiling, Suspended Ceiling, Recessed
Norms	2006/95/CE, 2004/108/CE, CEI EN 62471, CEI EN 62034, CEI EN 60598-2-2, CEI EN 60598-2-22*
Visibility (m)	15m (Single Sided), 20m (Double Sided Suspended)
Voltage (v)	230V

*Standard Maintained Mode - EN61347-2-7, 2006/95/CE, 2004/108/CE, CEI EN 62034, CEI EN 60598-2-2, CEI EN 60598-2-22



Power * W	L	B	H	L1	B1	H1	• Dimensions (mm) •					L2	B2	H2	H3	DV diffuser	DV suspended
6	294	126	34	317	149	46	292	124	35	12	15 m	20 m					
8	294	126	34	317	149	46	292	124	35	12	15 m	20 m					
11	294	126	34	317	149	46	292	124	35	12	15 m	20 m					
18.24	294	126	34	317	149	46	292	124	35	12	15 m	20 m					

*Indicative power for comparison with fluorescent tube fixtures

ACCESSORIES SUPPLIED

Order Code	Description
4278	Adhesive Diffusers (Left/Right/Down)
3733	Recessed Box

TO BE ORDERED SEPARATELY

Order Code	Description
4112	IP66 Kit
4265	Wall Bracket for Flag Installation
4266	False Ceiling Brackets
4267	Exit Sign Flag (Left/ Right Arrow)
4268	Exit Sign Flag (Down Arrow)
4269	Exit Diffusers (Left/Right/Down)
15036	LG Module*
15037	LGFM Module*
15038	DALI Module*

*Opticom System Only

CONTROL SYSTEM ORDER CODES

STANDARD

Part No.	Description	Emergency Operation Mode	Duration	Battery	Power Consumption	Luminous Flux in NM	AR Luminous Flux in NM	Luminous Flux in M	Ambient Temp	Protection Class	Net Weight
4104	Completa LED 11W	NM	3h	NIMH HT 3.6V 1.2A	1W	105lm	-	-	0°C + +40°C	II	0.5kg
4106	Completa LED 11W	M	3h	NIMH HT 3.6V 1.2A	2.5W	-	-	70lm	0°C + +40°C	II	0.5kg
4109	Completa LED 24W	NM	3h	2xNIMH HT 3.6V 1.2A	1W	190lm	-	-	0°C + +40°C	II	0.6kg
4111	Completa LED 24W	M	3h	2xNIMH HT 3.6V 1.2A	3W	-	-	115lm	0°C + +40°C	II	0.6kg

AUTO-TEST

Part No.	Description	Emergency Operation Mode	Duration	Battery	Power Consumption	Luminous Flux in NM	AR Luminous Flux in NM	Luminous Flux in M	Ambient Temp	Protection Class	Net Weight
4200	Completa LED AT Opticom 8-11W	NM	1-1.5-2-3-8h	LTO 4.8V 0.5Ah	7.5W	150/100/75/55/25lm	-	-	-20°C + +50°C	II	0.5kg
4201	Completa LED AT Opticom 11-24W	NM	1-1.5-2-3-8h	LTO 4.8V 0.5Ah	7.5W	250/170/130/85/35lm	-	-	-20°C + +50°C	II	0.5kg
4202	Completa LED AT Opticom 24-36W	NM	1-1.5-2-3-8h	2xLTO 4.8V 0.5Ah	7.5W	450/305/230/156/65lm	-	-	-20°C + +50°C	II	0.5kg
4203	Completa LED AT Opticom 11-24W	M/NM	1-1.5-2-3-8h	LTO 4.8V 0.5Ah	7.5W	250/170/130/85/35lm	-	110lm	-20°C + +50°C	II	0.5kg
4204	Completa LED AT Opticom 24-36W	M/NM	1-1.5-2-3-8h	2xLTO 4.8V 0.5Ah	7.5W	450/305/230/156/65lm	-	200lm	-20°C + +50°C	II	0.5kg

OPTICOM AUTO TEST LUMINAIRES C/W TITANIUM BATTERY

Part No.	Description	Emergency Operation Mode	Duration	Battery	Power Consumption	Luminous Flux in NM	AR Luminous Flux in NM	Luminous Flux in M	Ambient Temp	Protection Class	Net Weight
4200	Completa LED AT Opticom 8-11W	NM	1-1.5-2-3-8h	LTO 4.8V 0.5Ah	7.5W	150/100/75/55/25lm	-	-	-20°C + +50°C	II	0.5kg
4201	Completa LED AT Opticom 11-24W	NM	1-1.5-2-3-8h	LTO 4.8V 0.5Ah	7.5W	250/170/130/85/35lm	-	-	-20°C + +50°C	II	0.5kg
4202	Completa LED AT Opticom 24-36W	NM	1-1.5-2-3-8h	2xLTO 4.8V 0.5Ah	7.5W	450/305/230/156/65lm	-	-	-20°C + +50°C	II	0.5kg
4203	Completa LED AT Opticom 11-24W	M/NM	1-1.5-2-3-8h	LTO 4.8V 0.5Ah	7.5W	250/170/130/85/35lm	-	110lm	-20°C + +50°C	II	0.5kg
4204	Completa LED AT Opticom 24-36W	M/NM	1-1.5-2-3-8h	2xLTO 4.8V 0.5Ah	7.5W	450/305/230/156/65lm	-	200lm	-20°C + +50°C	II	0.5kg

