

DOWNLIGHT ULTRA COMPACT LED





Downlight Ultra Compact LED



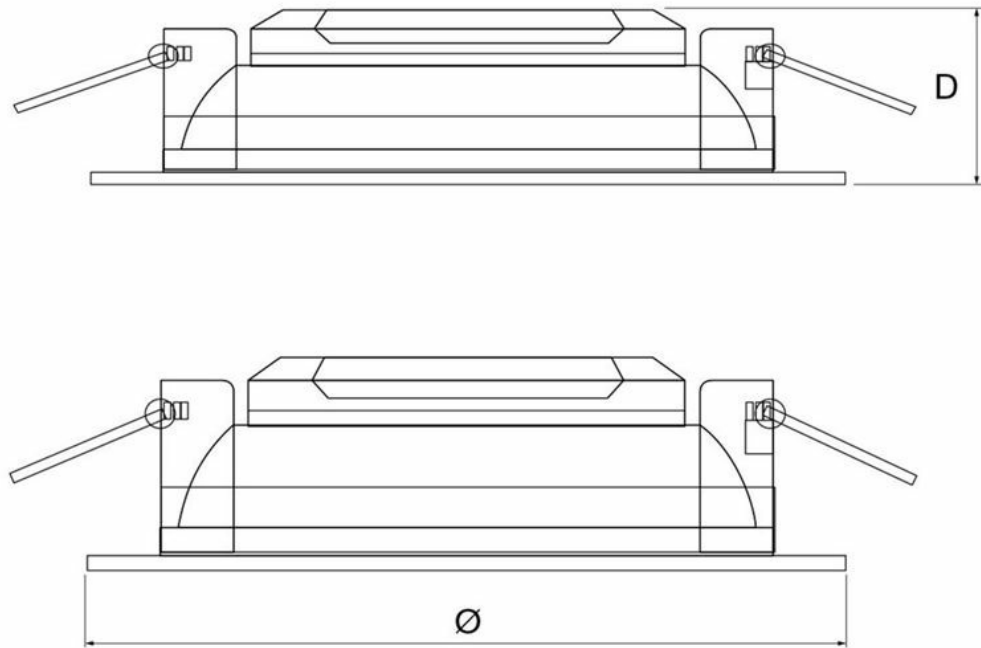
Downlight Ultra Compact LED Fixing Spring

Recessed luminaire with radial LED source that thanks to the opal diffuser allows a homogeneous diffusion of light by eliminating dazzle. Supplied with SELV electronic power supply. Very simple to install, with a driver included in the device despite its very small size.

Product category: Recessed, Downlights, Ceiling Mounted, Indoor

FEATURES

Application	Offices, Shops
Ballast	Constant Current LED
Colour Rendering	>80
Colours (RAL)	White
Energy Class	A++
IK Rating	IK05
IP Rating	IP42
Material	Self-Extinguishing Thermoplastic
Mounting Options	Recessed Ceiling
Norms	[47,79,96,100,100]
Optics	Rotosymmetrical
Voltage (v)	230v



Potenza W	• Dimensioni (mm) • Ø D	Foro incasso	Peso kg
8	85 65	70	0,07

TO BE ORDERED SEPARATELY

Order Code	Description
19350	Inverter LED SE 1N RM

CONTROL SYSTEM ORDER CODES

TRADITIONAL ECO DRIVER

Power W.	Order Code	Description	Colour Temp K.	Power Consumption W.	No LEDs	Flux of LEDs	Flux of Fixture	Luminous efficiency lm/W
8	71050	DWL LED 8W 3000K	3000K	8W	24	1080lm	720lm	90lm/W
8	71051	DWL LED 8W 4000K	4000K	8W	24	1080lm	720lm	90lm/W