

MULTIBAY LED



MultiBay LED 30/50



MultiBay LED 30/50



MultiBay LED 100



MultiBay LED Suspended



MultiBay LED with Adjustable Bracket



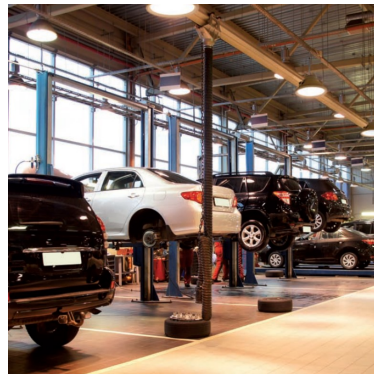
MultiBay LED with Spyke



MultiBay LED Construction Site



MultiBay LED Restaurant



MultiBay LED Car Garage



MultiBay LED Warehouse

LED powered floodlight with die-cast aluminium body and technopolymer screwable top for quick access to the junction box. The screen is made of frosted tempered glass to avoid any glaring.

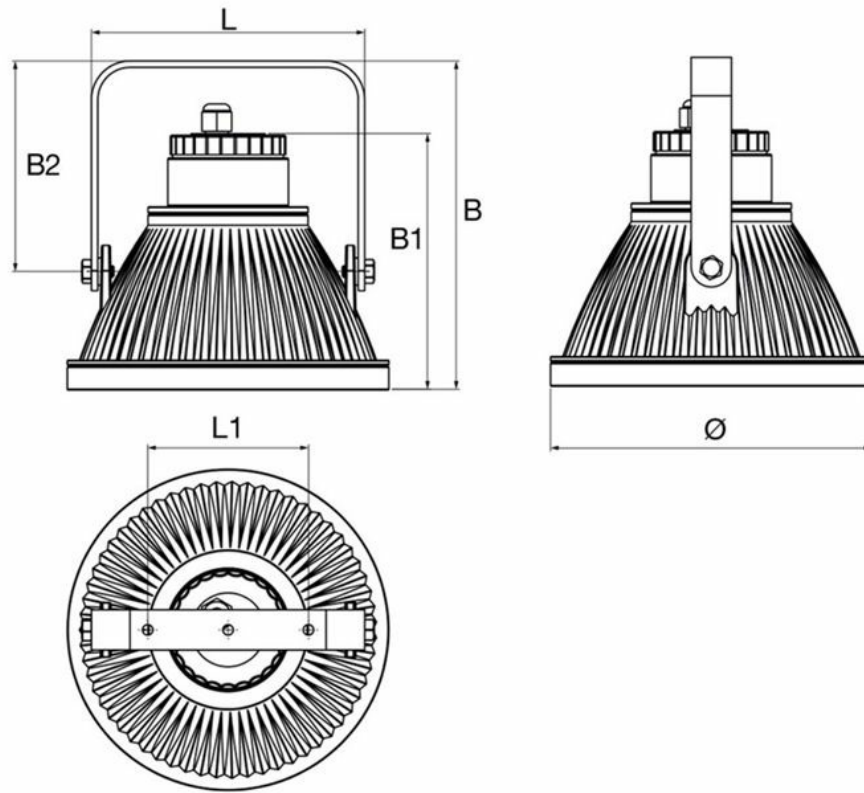
Versatility is the great innovation in this fixture that can be installed suspended with steel wires, on a wall with an adjustable bracket and on the ground with a foot base accessory and a single spike.

Its small dimensions make Multibay a favourite for both architectural and industrial types of installation.

Product category: Suspended, Floodlights, Wall Mounted, Ceiling Mounted, Indoor, Industrial

FEATURES

Application	Warehouses, Shops
Ballast	Constant Current LED
Colour Rendering	>80
Colour Temp. (K)	4000K
Colours (RAL)	Grey RAL 7040
Energy Class	A++
IK Rating	IK08
IP Rating	IP65
Material	Die-Cast Aluminium
Mounting Options	Wall, Suspended, Ground
Norms	[71,93,99,100,100]
Optics	Symmetrical Concentrating
Voltage (v)	230v



Potenza W	Ø	• Dimensioni (mm) •					N° LED	Peso kg
		B	B1	B2	L	L1		
50	200	204	159	131	170	100	126	1,8

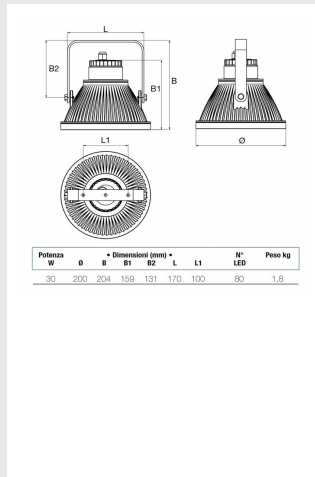
ACCESSORIES SUPPLIED

Order Code	Description
-	Mounting Bracket
-	Technopolymer Base
-	Spyke
-	Suspension Wire

CONTROL SYSTEM ORDER CODES

TRADITIONAL ECO DRIVER

Power W.	Order Code	Description	Power Consumption W.	No LEDs	Flux of LEDs	Flux of Fixture	Luminous Efficiency lm/W
30	76300	HMF 30 LED	28W	80	2100lm	1800lm	64lm/W
50	76301	HMF LED 50	47W	126	3800lm	3250lm	69lm/W
100	76302	HMF LED 100	105W	150	8000lm	6800lm	65lm/W



This product is currently unavailable.