

# MAXIMA LED



Maxima LED Single Sided Exit Sign



Maxima LED Single Sided Exit Sign



Maxima LED Single Sided Exit Sign with Downward Light



Maxima LED Double Sided Exit Sign



Maxima LED with Suspended Bracket



Maxima LED Suspended Bracket



Maxima LED with Suspension Hooks



Maxima LED Electrified Rail Mounting



Maxima LED Suspension Hooks

A professional lighting device for emergency signage and escape route illumination, with high long-distance visibility (in excess of 34 meters) in accordance with EN 1838.

Excellent levels of luminance and uniformity with regards to the pictogram. Quick release connection bracket and easy light source replacement system. Polycarbonate body with high mechanical strength bracket made from fibreglass reinforced nylon.

Available in single-sided wall mounted version and dual-sided flag mounted version. Both models are equipped with a light diffuser with beam directed downwards for lighting escape routes.

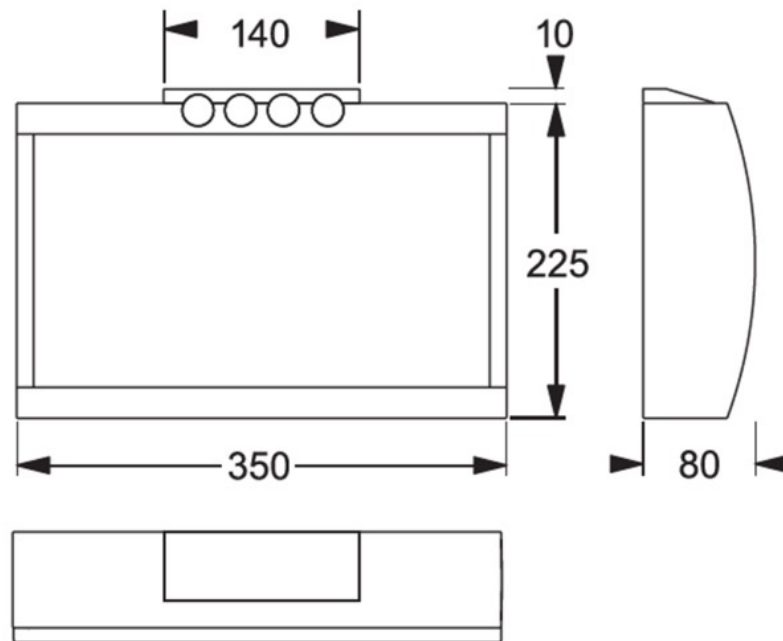
Light source consists of 2 high-efficiency LEDs (1W) with a useful life of up to 100,000 hrs.

Product category: Exit Signs

## FEATURES

<b>Application</b>	Offices, Public Areas, Shops, Safety Sign
<b>Colours (RAL)</b>	Grey RAL 7035
<b>IK Rating</b>	IK05
<b>IP Rating</b>	IP54
<b>Material</b>	Polycarbonate
<b>Mounting Options</b>	Surface Wall (Single Sided), Surface Ceiling, Surface Ceiling with Adapter, Rod, Bracket, Chain & Wire Suspension (Double Sided)
<b>Visibility (m)</b>	33m
<b>Visibility (m)</b>	230v, 24v DC*

\*Sicuro24 System



## Surface wall mounting

## ACCESSORIES SUPPLIED

Order Code	Description
29001	Kit of Exit Sign Films (Left/Right/Down/Up)

## TO BE ORDERED SEPARATELY

Order Code	Description
29002	Exit Sign Film (Up Arrow)
16917M	Kit of Exit Sign Films (Diagonal Up Left/Up Right/Down Left/Down Right)
F95700	Adaptor for Ceiling Mounting and Visible Conduits
F95510	Suspension Rod, Round: 500mm
F95511	Suspension Rod, Round: 1000mm
F95512	Suspension Rod, Round: 1500mm
3723	Adapter Hooks for Chain or Wire Suspension
F95032K	Wire Guard

## CONTROL SYSTEM ORDER CODES

## AUTO-TEST

Part No.	Description	Emergency Operation Mode	Duration	Battery	Luminous Flux in NM	AR Luminous Flux in NM	Luminous Flux in M	Ambient Temp	Protection Class	Net Weight
37054	LTO Single Sided : 32m VD	M/NM	1-3-8h	2 x LTO 7.2 V / 0.5 Ah	-	-	-	-20 °C to 50 °C	II	-
37057	LTO Double Sided : 32m VD	M/NM	1-3-8h	2 x LTO 7.2 V / 0.5 Ah	-	-	-	-20 °C to 50 °C	II	-
36054	Classic Single Sided : 32m VD	M/NM	1-3h	NiMh 7.2 V / 0.6 Ah	-	-	-	0 °C to + 40 °C	II	-
36057	Classic Double Sided : 32m VD	M/NM	1-3h	NiMh 7.2 V / 0.6 Ah	-	-	-	0 °C to + 40 °C	II	-

## LOGICA SELF CONTAINED WIRED CENTRAL TESTING &amp; MONITORING SYSTEM

Part No.	Description	Emergency Operation Mode	Duration	Battery	Luminous Flux in NM	AR Luminous Flux in NM	Luminous Flux in M	Ambient Temp	Protection Class	Net Weight
37055	LTO Single Sided : 32m VD	M/NM	1-3-8h	2 x LTO 7.2 V / 0.5 Ah	-	-	-	-20 °C to 50 °C	II	-
37058	LTO Double Sided : 32m VD	M/NM	1-3-8h	2 x LTO 7.2 V / 0.5 Ah	-	-	-	-20 °C to 50 °C	II	-
36055	Classic Single Sided : 32m VD	M/NM	1-3h	NiMh 7.2 V / 1.2 Ah	-	-	-	0 °C to + 40 °C	II	-
36058	Classic Double Sided : 32m VD	M/NM	1-3h	NiMh 7.2 V / 1.2 Ah	-	-	-	0 °C to + 40 °C	II	-

## LOGICA FM SELF CONTAINED WIRELESS CENTRAL TESTING & MONITORING SYSTEM

Part No.	Description	Emergency Operation Mode	Duration	Battery	Luminous Flux in NM	AR Luminous Flux in NM	Luminous Flux in M	Ambient Temp	Protection Class	Net Weight
37056	LTO Single Sided : 32m VD	M/NM	1-3-8h	2 x LTO 7.2 V / 0.5 Ah	-	-	-	-20 °C to 50 °C	II	-
37059	LTO Double Sided : 32m VD	M/NM	1-3-8h	2 x LTO 7.2 V / 0.5 Ah	-	-	-	-20 °C to 50 °C	II	-
36056	Classic Single Sided : 32m VD	M/NM	1-3h	NiMh 7.2 V / 1.2 Ah	-	-	-	0 °C to + 40 °C	II	-
36059	Classic Double Sided : 32m VD	M/NM	1-3h	NiMh 7.2 V / 1.2 Ah	-	-	-	0 °C to + 40 °C	II	-

## EVG NON ADDRESSABLE SLAVE LUMINAIRES

Part No.	Description	Mains Supply	Battery Supply	Power Consumption W.	Power Consumption VA	Luminous Flux	Ambient Temp	Protection Class	Net Weight	Warranty
T93040E	Single Sided : 33m VD	198 V – 254 V / 50 Hz	110V - 276V	3.8W	6.0VA	-	-20 to +40 °C		1kg	1 Year
T93041E	Double Sided : 33m VD	198 V – 254 V / 50 Hz	110V - 276V	3.8W	6.0VA	-	-20 to +40 °C		1kg	1 Year

## ALOG 216V AC/DC CENTRALISED BATTERY SYSTEM

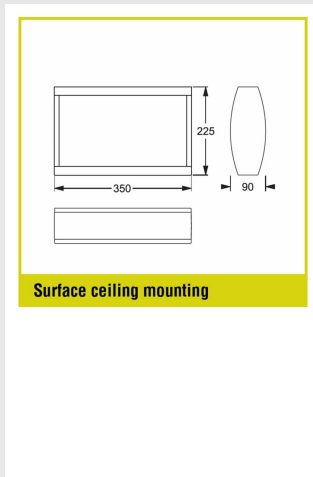
Part No.	Description	Mains Supply	Battery Supply	Power Consumption W.	Power Consumption VA	Luminous Flux	Ambient Temp	Protection Class	Net Weight	Warranty
T93040A	Single Sided : 33m VD	198 V – 254 V / 50 Hz	176V - 276V	3.8W	6.0VA	-	-20 to +40 °C	I	1kg	1 Year
T93041A	Double Sided : 33m VD	198 V – 254 V / 50 Hz	176V - 276V	3.8W	6.0VA	-	-20 to +40 °C	I	1kg	1 Year

## SICURO 24V DECENTRALISED BATTERY SYSTEM

Part No.	Description	Mains Supply	Battery Supply	Power Consumption W.	Power Consumption VA	Luminous Flux	Ambient Temp	Protection Class	Net Weight	Warranty
32018	Single Sided : 32m VD	24 V +/- 20% DC	24 V +/- 20% DC	2.9W	-	-	-20 °C to + 40 °C	III	-	1 Year
32019	Double Sided : 32m VD	24 V +/- 20% DC	24 V +/- 20% DC	2.9W	-	-	-20 °C to + 40 °C	III	-	1 Year

## SICURO 230 216V AC/DC CENTRALISED BATTERY SYSTEM

Part No.	Description	Mains Supply	Battery Supply	Power Consumption W.	Power Consumption VA	Luminous Flux	Ambient Temp	Protection Class	Net Weight	Warranty
31018	Single Sided : 32m VD	198 V – 254 V / 50 Hz	176 V– 276 V	3.5W	7.4VA	-	-20 °C to + 40 °C	II	-	1 Year
31019	Double Sided : 32m VD	198 V – 254 V / 50 Hz	176 V– 276 V	3.5W	7.4VA	-	-20 °C to + 40 °C	II	-	1 Year



Surface ceiling mounting