

KUBUS EXIT LED



Kubus LED Single Sided Exit Sign



Kubus LED Single Sided Exit Sign



Kubus LED Double Sided Exit Sign

Exit Sign Luminaire with rectangular body of flat steel profiles with angular contours. Wall mounted versions provide additional light output with slot in the body for down lighting.

Single or double sided espace route signage is provided thanks to exchangeable inserts and sign screens which can be inserted or replaced without any tools.

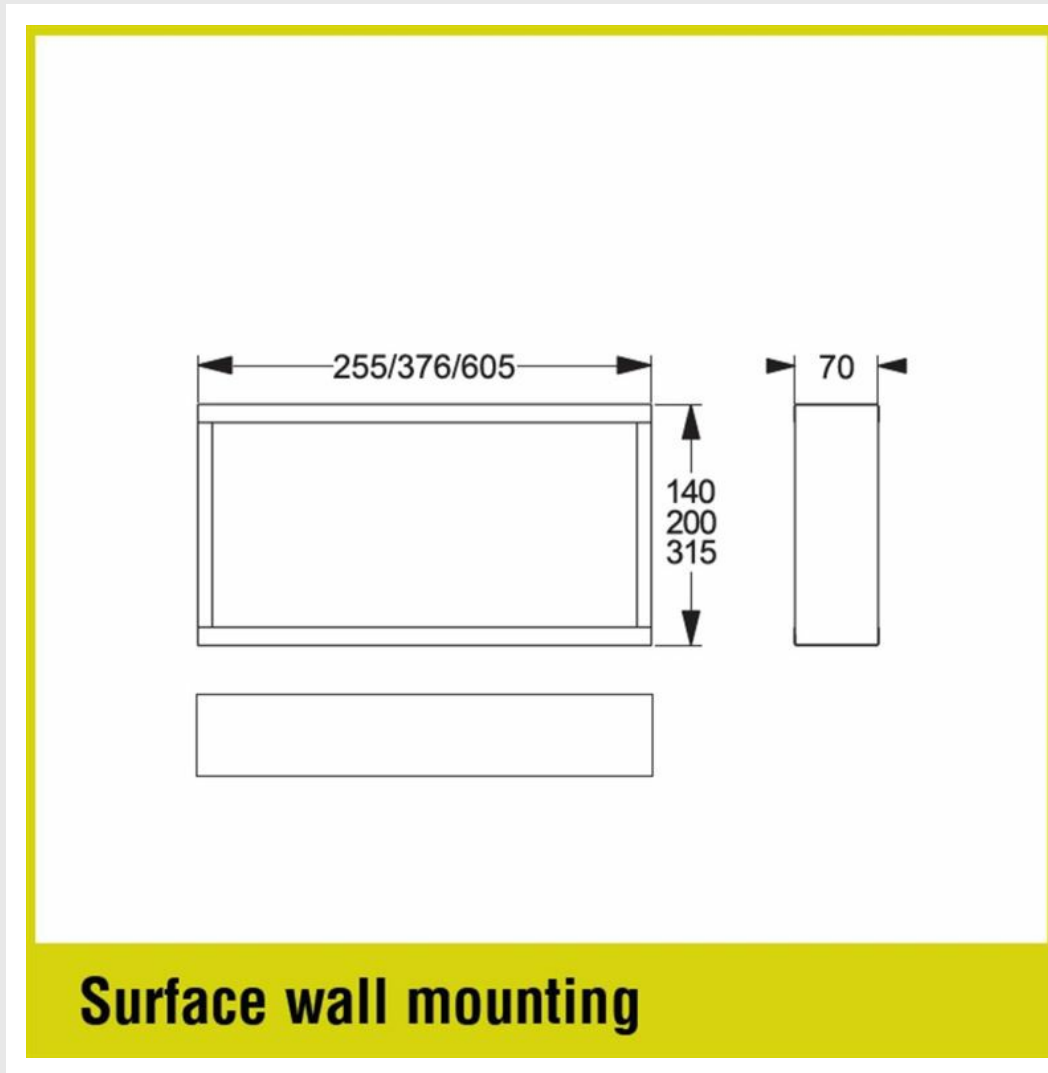
Versions for surface wall mouting or with accessories for surface ceiling mouting, wire, rod & chain suspension and bracket mounting.

Product category: Exit Signs

FEATURES

Application	Offices, Public Areas, Shops, Safety Sign
Colours (RAL)	White RAL 9003
IP Rating	IP40, IP54
Material	Sheet Steel (Body), Printed Methacrylate (Display Pane)
Mounting Options	Surface Wall (Single Sided), Surface Ceiling, Pendant, Chain & Bracket Suspension (Double Sided)
Visibility (m)	21m, 34m, 56m
Voltage (v)	230v, 24v DC*

*Sicuro24 System



TO BE ORDERED SEPARATELY

Order Code	Description
F95057	Adaptor for Ceiling Mounting (VD 21m, 34m ,56m)
F95600	Suspension Rod, Rectangular: 250mm (VD 21m, 34m, 56m)
F95601	Suspension Rod, Rectangular: 500mm (VD 21m, 34m, 56m)
F95602	Suspension Rod, Rectangular: 1000mm (VD 21m, 34m, 56m)
F95401	Wire Suspension: Max. 1200mm (VD 21m, 34m, 56m)
F95400	Suspension Rod, Round: 500mm (VD 21m, 34m, 56m)
F95067	Adaptor for Chain or Wire Suspension (VD 21m, 34m, 56m)
F95055	VD 21m Bracket Suspension
F95056	VD 34m Bracket Suspension
F95070	VD 56m Bracket Suspension
E16620M	VD 21m Exit Sign Pane (Progress Down to the Right Indicating Change of Level)

Order Code	Description
E16622M	VD 21m Exit Sign Pane (Progress Down to the Left Indicating Change of Level)
E16621M	VD 21m Exit Sign Pane (Progress Up to the Right Indicating Change of Level)
E16623M	VD 21m Exit Sign Pane (Progress Up to the Left Indicating Change of Level)
E16604M	VD 21m Exit Sign Pane (Down Arrow)
E16605M	VD 21m Exit Sign Pane (Right Arrow)
E16606M	VD 21m Exit Sign Pane (Left Arrow)
E16607	VD 21m Opal Plastic Pane
E16242	VD 21m Metal Sheet Painted in Body Colour
E16604M	VD 34m Exit Sign Pane (Progress Down to the Right Indicating Change of Level)
E16642M	VD 34m Exit Sign Pane (Progress Down to the Left Indicating Change of Level)
E16641M	VD 34m Exit Sign Pane (Progress Up to the Right Indicating Change of Level)
E16643M	VD 34m Exit Sign Pane (Progress Up to the Left Indicating Change of Level)
E16608M	VD 34m Exit Sign Pane (Down Arrow)
E16609M	VD 34m Exit Sign Pane (Right Arrow)
E16610M	VD 34m Exit Sign Pane (Left Arrow)
E16611	VD 34m Opal Plastic Pane
E16241	VD 34m Metal Sheet Painted in Body Colour
E16134M	VD 56m Exit Sign Pane (Down Arrow)
E16135M	VD 56m Exit Sign Pane (Right Arrow)
E16136M	VD 56m Exit Sign Pane (Left Arrow)
E16234	VD 56m Opal Plastic Pane
E16251	VD 56m Metal Sheet Painted in Body Colour
E16616M	VD 21m Exit Sign Pane (Up Arrow)

CONTROL SYSTEM ORDER CODES

AUTO-TEST

Part No.	Description	Emergency Operation Mode	Duration	Battery	Luminous Flux in NM	AR Luminous Flux in NM	Luminous Flux in M	Ambient Temp	Protection Class	Net Weight
37012	LTO Single Sided : 21m VD	M/NM	1-3-8h	2 x LTO 7.2 V / 0.5 Ah	-	-	-	-20 °C to 50 °C		-
37015	LTO Single Sided : 34m VD	M/NM	1-3-8h	2 x LTO 7.2 V / 0.5 Ah	-	-	-	-20 °C to 50 °C		-
37018	LTO Single Sided : 56m VD	M/NM	1-3-8h	2 x LTO 7.2 V / 0.5 Ah	-	-	-	-20 °C to 50 °C		-
37021	LTO Double Sided : 21m VD	M/NM	1-3-8h	2 x LTO 7.2 V / 0.5 Ah	-	-	-	-20 °C to 50 °C		-
37024	LTO Double Sided : 34m VD	M/NM	1-3-8h	2 x LTO 7.2 V / 0.5 Ah	-	-	-	-20 °C to 50 °C		-
37027	LTO Double Sided : 56m VD	M/NM	1-3-8h	2 x LTO 7.2 V / 0.5 Ah	-	-	-	-20 °C to 50 °C		-
36012	Classic Single Sided : 21m VD	M/NM	1-3h	NiMH 7.2 V / 0.6 Ah	-	-	-	0 °C to + 40 °C		-
36015	Classic Single Sided : 34m VD	M/NM	1-3h	NiMH 7.2 V / 0.6 Ah	-	-	-	0 °C to + 40 °C		-
36018	Classic Single Sided : 56m VD	M/NM	1-3h	NiMH 7.2 V / 0.6 Ah	-	-	-	0 °C to + 40 °C		-
36021	Classic Double Sided : 21m VD	M/NM	1-3h	NiMH 7.2 V / 0.6 Ah	-	-	-	0 °C to + 40 °C		-
36024	Classic Double Sided : 34m VD	M/NM	1-3h	NiMH 7.2 V / 0.6 Ah	-	-	-	0 °C to + 40 °C		-
36027	Classic Double Sided : 56m VD	M/NM	1-3h	NiMH 7.2 V / 0.6 Ah	-	-	-	0 °C to + 40 °C		-

LOGICA SELF CONTAINED WIRED CENTRAL TESTING & MONITORING SYSTEM

Part No.	Description	Emergency Operation Mode	Duration	Battery	Luminous Flux in NM	AR Luminous Flux in NM	Luminous Flux in M	Ambient Temp	Protection Class	Net Weight
37013	LTO Single Sided : 21m VD	M/NM	1-3-8h	2 x LTO 7.2 V / 0.5 Ah	-	-	-	-20 °C to 50 °C		-
37016	LTO Single Sided : 34m VD	M/NM	1-3-8h	2 x LTO 7.2 V / 0.5 Ah	-	-	-	-20 °C to 50 °C		-
37019	LTO Single Sided : 56m VD	M/NM	1-3-8h	2 x LTO 7.2 V / 0.5 Ah	-	-	-	-20 °C to 50 °C		-
37022	LTO Double Sided : 21m VD	M/NM	1-3-8h	2 x LTO 7.2 V / 0.5 Ah	-	-	-	-20 °C to 50 °C		-
37025	LTO Double Sided : 34m VD	M/NM	1-3-8h	2 x LTO 7.2 V / 0.5 Ah	-	-	-	-20 °C to 50 °C		-
37028	LTO Double Sided : 56m VD	M/NM	1-3-8h	2 x LTO 7.2 V / 0.5 Ah	-	-	-	-20 °C to 50 °C		-
36013	Classic Single Sided : 21m VD	M/NM	1-3h	NiMH 7.2 V / 1.2 Ah	-	-	-	0 °C to + 40 °C		-
36016	Classic Single Sided : 34m VD	M/NM	1-3h	NiMH 7.2 V / 1.2 Ah	-	-	-	0 °C to + 40 °C		-
36019	Classic Single Sided : 56m VD	M/NM	1-3h	NiMH 7.2 V / 1.2 Ah	-	-	-	0 °C to + 40 °C		-
36022	Classic Double Sided : 21m VD	M/NM	1-3h	NiMH 7.2 V / 1.2 Ah	-	-	-	0 °C to + 40 °C		-
36025	Classic Double Sided : 34m VD	M/NM	1-3h	NiMH 7.2 V / 1.2 Ah	-	-	-	0 °C to + 40 °C		-
36028	Classic Double Sided : 56m VD	M/NM	1-3h	NiMH 7.2 V / 1.2 Ah	-	-	-	0 °C to + 40 °C		-

LOGICA FM SELF CONTAINED WIRELESS CENTRAL TESTING & MONITORING SYSTEM

Part No.	Description	Emergency Operation Mode	Duration	Battery	Luminous Flux in NM	AR Luminous Flux in NM	Luminous Flux in M	Ambient Temp	Protection Class	Net Weight
37014	LTO Single Sided : 21m VD	M/NM	1-3-8h	2 x LTO 7.2 V / 0.5 Ah	-	-	-	-20 °C to 50 °C		-
37017	LTO Single Sided : 34m VD	M/NM	1-3-8h	2 x LTO 7.2 V / 0.5 Ah	-	-	-	-20 °C to 50 °C		-
37020	LTO Single Sided : 56m VD	M/NM	1-3-8h	2 x LTO 7.2 V / 0.5 Ah	-	-	-	-20 °C to 50 °C		-
37023	LTO Double Sided : 21m VD	M/NM	1-3-8h	2 x LTO 7.2 V / 0.5 Ah	-	-	-	-20 °C to 50 °C		-
37026	LTO Double Sided : 34m VD	M/NM	1-3-8h	2 x LTO 7.2 V / 0.5 Ah	-	-	-	-20 °C to 50 °C		-
37029	LTO Double Sided : 56m VD	M/NM	1-3-8h	2 x LTO 7.2 V / 0.5 Ah	-	-	-	-20 °C to 50 °C		-
36014	Classic Single Sided : 21m VD	M/NM	1-3h	NiMH 7.2 V / 1.2 Ah	-	-	-	0 °C to + 40 °C		-
36017	Classic Single Sided : 34m VD	M/NM	1-3h	NiMH 7.2 V / 1.2 Ah	-	-	-	0 °C to + 40 °C		-
36020	Classic Single Sided : 56m VD	M/NM	1-3h	NiMH 7.2 V / 1.2 Ah	-	-	-	0 °C to + 40 °C		-
36023	Classic Double Sided : 21m VD	M/NM	1-3h	NiMH 7.2 V / 1.2 Ah	-	-	-	0 °C to + 40 °C		-
36026	Classic Double Sided : 34m VD	M/NM	1-3h	NiMH 7.2 V / 1.2 Ah	-	-	-	0 °C to + 40 °C		-
36029	Classic Double Sided : 56m VD	M/NM	1-3h	NiMH 7.2 V / 1.2 Ah	-	-	-	0 °C to + 40 °C		-

EVG NON ADDRESSABLE SLAVE LUMINAIRES

Part No.	Description	Mains Supply	Battery Supply	Power Consumption W	Power Consumption VA	Luminous Flux	Ambient Temp	Protection Class	Net Weight
T93010E	Single Sided : 21m VD	198 V – 254 V / 50 Hz	110V - 276V	3.0W	5.0VA	-	-20 to + 40 °C		-
T93011E	Single Sided : 34m VD	199 V – 254 V / 50 Hz	110V - 276V	5.4W	7.0VA	-	-20 to + 40 °C		-
T93012E	Single Sided : 56m VD	200 V – 254 V / 50 Hz	110V - 276V	5.4W	7.0VA	-	-20 to + 40 °C		-
T93013E	Double Sided : 21m VD	201 V – 254 V / 50 Hz	110V - 276V	3.0W	5.0VA	-	-20 to + 40 °C		-
T93014E	Double Sided : 34m VD	202 V – 254 V / 50 Hz	110V - 276V	5.4W	7.0VA	-	-20 to + 40 °C		-
T93015E	Double Sided : 56m VD	203 V – 254 V / 50 Hz	110V - 276V	5.4W	7.0VA	-	-20 to + 40 °C		-

ALOG 216V AC/DC CENTRALISED BATTERY SYSTEM

Part No.	Description	Mains Supply	Battery Supply	Power Consumption W	Power Consumption VA	Luminous Flux	Ambient Temp	Protection Class	Net Weight
T93010A	Single Sided : 21m VD	198 V – 254 V / 50 Hz	176V - 276V	3.0W	5.0VA	-	-20 to + 40 °C		-
T93011A	Single Sided : 34m VD	199 V – 254 V / 50 Hz	176V - 276V	5.4W	7.0VA	-	-20 to + 40 °C		-
T93012A	Single Sided : 56m VD	200 V – 254 V / 50 Hz	176V - 276V	5.4W	7.0VA	-	-20 to + 40 °C		-
T93013A	Double Sided : 21m VD	201 V – 254 V / 50 Hz	176V - 276V	3.0W	5.0VA	-	-20 to + 40 °C		-
T93014A	Double Sided : 34m VD	202 V – 254 V / 50 Hz	176V - 276V	5.4W	7.0VA	-	-20 to + 40 °C		-
T93015A	Double Sided : 56m VD	203 V – 254 V / 50 Hz	176V - 276V	5.4W	7.0VA	-	-20 to + 40 °C		-

SICURO 24V DECENTRALISED BATTERY SYSTEM

Part No.	Description	Mains Supply	Battery Supply	Power Consumption W	Power Consumption VA	Luminous Flux	Ambient Temp	Protection Class	Net Weight
32004	Single Sided : 21m VD	24 V +/- 20% DC	24 V +/- 20% DC	2.5W	-	-	-20 °C to + 40 °C	III	-
32005	Single Sided : 34m VD	24 V +/- 20% DC	24 V +/- 20% DC	4.3W	-	-	-20 °C to + 40 °C	III	-
32006	Single Sided : 56m VD	24 V +/- 20% DC	24 V +/- 20% DC	4.3W	-	-	-20 °C to + 40 °C	III	-
32007	Double Sided : 21m VD	24 V +/- 20% DC	24 V +/- 20% DC	2.5W	-	-	-20 °C to + 40 °C	III	-
32008	Double Sided : 34m VD	24 V +/- 20% DC	24 V +/- 20% DC	4.3W	-	-	-20 °C to + 40 °C	III	-
32009	Double Sided : 56m VD	24 V +/- 20% DC	24 V +/- 20% DC	4.3W	-	-	-20 °C to + 40 °C	III	-
32105	Single Sided with 2 changeable lenses : 34m VD	24 V +/- 20% DC	24 V +/- 20% DC	8.1W	-	Escape Route 261lm/Open Area 285lm	-20 °C to + 40 °C	III	-
32106	Double Sided with 2 changeable lenses : 34m VD	24 V +/- 20% DC	24 V +/- 20% DC	8.1W	-	Escape Route 261lm/Open Area 285lm	-20 °C to + 40 °C	III	-

SICURO 230 216V AC/DC CENTRALISED BATTERY SYSTEM

Part No.	Description	Mains Supply	Battery Supply	Power Consumption W	Power Consumption VA	Luminous Flux	Ambient Temp	Protection Class	Net Weight
31004	Single Sided : 21m VD	198 V – 254 V / 50 Hz	176 V– 276 V	2.5W	5.8VA	-	-20 °C to + 40 °C	I	-
31005	Single Sided : 34m VD	198 V – 254 V / 50 Hz	176 V– 276 V	4.7W	9.4VA	-	-20 °C to + 40 °C	I	-
31006	Single Sided : 56m VD	198 V – 254 V / 50 Hz	176 V– 276 V	4.7W	9.4VA	-	-20 °C to + 40 °C	I	-
31007	Double Sided : 21m VD	198 V – 254 V / 50 Hz	176 V– 276 V	2.5W	5.8VA	-	-20 °C to + 40 °C	I	-
31008	Double Sided : 34m VD	198 V – 254 V / 50 Hz	176 V– 276 V	4.7W	9.4VA	-	-20 °C to + 40 °C	I	-
31008	Double Sided : 56m VD	198 V – 254 V / 50 Hz	176 V– 276 V	4.7W	9.4VA	-	-20 °C to + 40 °C	I	-
31154	Single Sided with 2 changeable lenses : 34m VD	198 V – 254 V / 50 Hz	176 V– 276 V	8.8W	17.7VA	Escape Route 261lm/Open Area 285lm	-20 °C to + 40 °C	I	-
31155	Double Sided with 2 changeable lenses : 34m VD	198 V – 254 V / 50 Hz	176 V– 276 V	8.8W	17.7VA	Escape Route 261lm/Open Area 285lm	-20 °C to + 40 °C	I	-

