

# PRIMA LED



High protective class Exit Sign Luminaire. Compact version casing with a convex opal cover.

Single or double sided escape route signage is provided thanks to self adhesive films.

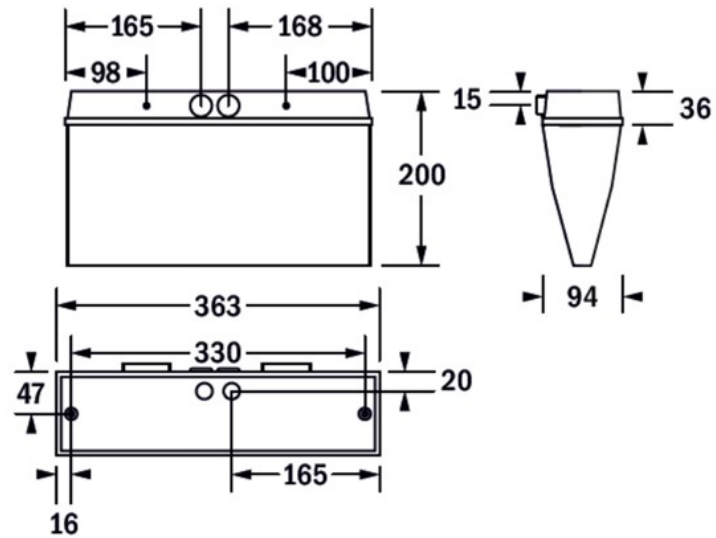
Versions for surface wall mounting and surface ceiling mounting or with accessories for wire & rod suspension and bracket mounting.

Product category: Exit Signs

## FEATURES

<b>Application</b>	Offices, Public Areas, Shops, Safety Sign
<b>Colours (RAL)</b>	White RAL 9003
<b>IP Rating</b>	IP54
<b>Material</b>	Polycarbonate
<b>Mounting Options</b>	Surface Wall, Surface Ceiling, Suspension, Bracket Suspension, Chain, Wire
<b>Visibility (m)</b>	32m
<b>Voltage (v)</b>	230v, 24v DC*

\*Sicuro System



surface wall mounting

## ACCESSORIES SUPPLIED

Order Code	Description
F16166	Kit of Exit Sign Films Right/Left/ Down/Blank

## TO BE ORDERED SEPARATELY

Order Code	Description
F95112	Suspension Rod 300mm
F95113	Suspension Rod 500mm
F95114	Suspension Rod 1000mm
F95115	Bracket Suspension
F16167	Kit of Exit Sign Films Diagonal Right Up/Diagonal Right Down/Diagonal Left Up/Diagonal Left Down

## CONTROL SYSTEM ORDER CODES

## AUTO-TEST

Part No.	Description	Emergency Operation Mode	Duration	Battery	Power Consumption	Luminous Flux in NM	AR Luminous Flux in NM	Luminous Flux in M	Ambient Temp	Protection Class	Net Weight
N93202AT	Single/Double Sided : 32m VD	M/NM	1-3h	NiMH 7.2V 0.6Ah	2.1W	-	-	-	0 to +40°C	II	-
N93202AT-8H	Single/Double Sided : 32m VD	M/NM	8h	NiMH 7.2V 1.2Ah	1.0W	-	-	-	0 to +40°C	II	-

## LOGICA SELF CONTAINED WIRED CENTRAL TESTING & MONITORING SYSTEM

Part No.	Description	Emergency Operation Mode	Duration	Battery	Power Consumption	Luminous Flux in NM	AR Luminous Flux in NM	Luminous Flux in M	Ambient Temp	Protection Class	Net Weight
N93202LG	Single/Double Sided : 32m VD	M/NM	1-3h	Nimh 7.2V 1.2Ah	2.1W	-	-	-	0°C ÷ +40°C	II	-
N93202LG-8H	Single/Double Sided : 32m VD	M/NM	8h	Nimh 7.2V 1.2Ah	1.0W	-	-	-	0°C ÷ +40°C	II	-

## LOGICA FM SELF CONTAINED WIRELESS CENTRAL TESTING & MONITORING SYSTEM

Part No.	Description	Emergency Operation Mode	Duration	Battery	Power Consumption	Luminous Flux in NM	AR Luminous Flux in NM	Luminous Flux in M	Ambient Temp	Protection Class	Net Weight
N93202FM	Single/Double Sided : 32m VD	M/NM	1-3h	Nimh 7.2V 1.2Ah	2.1W	-	-	-	0°C ÷ +40°C	I	-
N93202FM-8H	Single/Double Sided : 32m VD	M/NM	8h	Nimh 7.2V 1.2Ah	1.0W	-	-	-	0°C ÷ +40°C	I	-

## EVG NON ADDRESSABLE SLAVE LUMINAIRES

Part No.	Description	Mains Supply	Battery Supply	Power Consumption W.	Power Consumption VA	Luminous Flux	Ambient Temp	Protection Class	Net Weight
T93202E	Single/Double Sided : 32m VD	198V- 254V/50Hz	110V - 276V	3.8W	6.0VA	-	-20 to +40°C	I	-



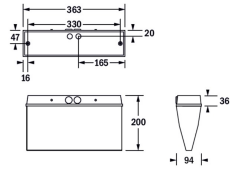
## ALOG 216V AC/DC CENTRALISED BATTERY SYSTEM

Part No.	Description	Mains Supply	Battery Supply	Power Consumption W.	Power Consumption VA	Luminous Flux	Ambient Temp	Protection Class	Net Weight
T93202A	Single/Double Sided : 32m VD	198V- 245V/50Hz	176V - 276V	3.8W	6.0VA	-	-20 to +40°C	I	-

## SICURO 24V DECENTRALISED BATTERY SYSTEM

Part No.	Description	Mains Supply	Battery Supply	Power Consumption W.	Power Consumption VA	Luminous Flux	Ambient Temp	Protection Class	Net Weight
T93202-S24	Single/Double Sided : 32m VD	24V +/- 20% DC	24V +/- 20% DC	2.9W	-	-	-20 to +40°C	III	-





surface ceiling mounting