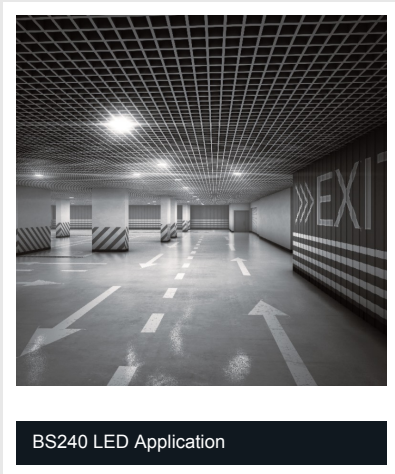
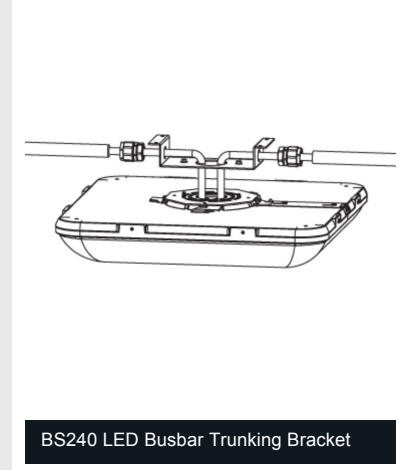


# BS240 LED



BS240 LED



Die-cast aluminium body with 3mm toughened polycarbonate diffuser to grant a high level of strength and durability from impact in environments such as, sports halls, industrial and commercial areas. Its bayonet bracket allows a simple and fast installation process granting stability and durability of the fixing system.

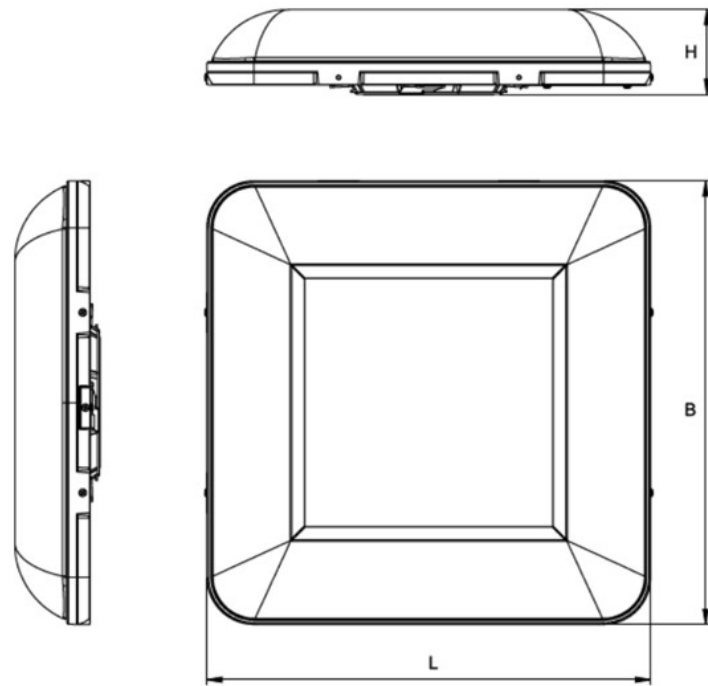
The Parking version provides a wide light beam to illuminate areas where the ceiling is lower such as car parks and basements. The optic is designed to deliver an optimal, uniform and efficient light level allowing to considerably reduce the number of installed luminaires.

Product category: Surface, Suspended, Wall Mounted, Ceiling Mounted, Indoor, Outdoor, Industrial, Waterproof

## FEATURES

<b>Application</b>	Production, Warehouses, Industrial Areas, Car Parks, Basements
<b>Ballast</b>	Constant Current LED (programmable)*, Constant Current LED**
<b>Colour Rendering</b>	>80
<b>Colour Temp. (K)</b>	4000K
<b>Colours (RAL)</b>	Grey RAL 7040
<b>Energy Class</b>	A++
<b>IK Rating</b>	IK10
<b>IP Rating</b>	IP66
<b>Material</b>	Polyester Powder Coated Die-Cast Aluminium
<b>Mounting Options</b>	Ceiling Mounted, Suspension Mounted or Busbar Trunking
<b>Norms</b>	[53,85,97,99,100], [29,58,83,90,100]***
<b>Optics</b>	Symmetrical Diffusing
<b>Voltage (v)</b>	230v

\*Smart Driver \*\*Eco Driver \*\*\*Parking



Power* W	• Dimensions (mm) •			Weight max kg
	L	B	H	
4x55	443	443	85	5,5
6x55	443	443	85	5,5
2x55	443	443	85	5

## ACCESSORIES SUPPLIED

Order Code	Description
-	Ceiling Bracket
-	Eyebolt for Suspension Mounting
12665	Busbar Trunking Bracket
15039	Opticom Smart Photosensor*

\*Smart Driver versions only

## TO BE ORDERED SEPARATELY

Order Code	Description
12663	Suspension Cable
20102	Building Automation Central Unit*
20124	Building Automation Central Unit + Wifi*
20104	2 Input Interface - Radio Transmitter*
15022	Building Automation Radio Module*
15024	DALI Module*
15034	1-10V Module*
19359	Inverter Plug & Light LED M/NM 3h Duration 20-60V
19355	Inverter LED AT/LG 6W 55V 1-3h Duration**
19390	Inverter LED Extreme AT/LG 10W 55V 0.75-8h LTO**
19391	Inverter LED Extreme AT/LG 10W 55V 0.75-8h LiFe**

\*Smart Driver versions only \*\*LG technology Inverters can be turned into LGFM using accessory code 19375

## CONTROL SYSTEM ORDER CODES

### TRADITIONAL ECO DRIVER

Power W.	Order Code	Description	LED Power W.	Power Consumption W.	No LEDs	Flux of LEDs	Flux of Fixture	Luminous efficiency lm/W
4x55	11288ED	BS240 LED 455 ED 4000K	90W	100W	256	15500lm	13300lm	133lm/W
6x55	11289ED	BS240 LED 655 ED 4000K	144W	160W	384	23300lm	21300lm	133lm/W
2x55	11288PED	BS240 LED 255 PARK ED 4000K	45W	50W	192	7800lm	6650lm	133lm/W

## SMART DRIVER

Power W.	Order Code	Description	LED Power W.	Power Consumption W.	No LEDs	Flux of LEDs	Flux of Fixture	Luminous efficiency lm/W
4x55	11288SD	BS240 LED 455 SD 4000K	90W	100W	256	15500lm	13300lm	133lm/W
6x55	11289SD	BS240 LED 655 SD 4000K	144W	160W	384	23300lm	21300lm	133lm/W
2x55	11288PSD	BS240 LED 255 PARK SD 4000K	45W	60W	192	7800lm	6650lm	133lm/W