

DISPOS EVO LED





Exit sign luminaire with square design housing made of sheet steel or stainless sheet steel in universal versions.

Single or double sided escape route signage provided thanks to exchangeable inserts.

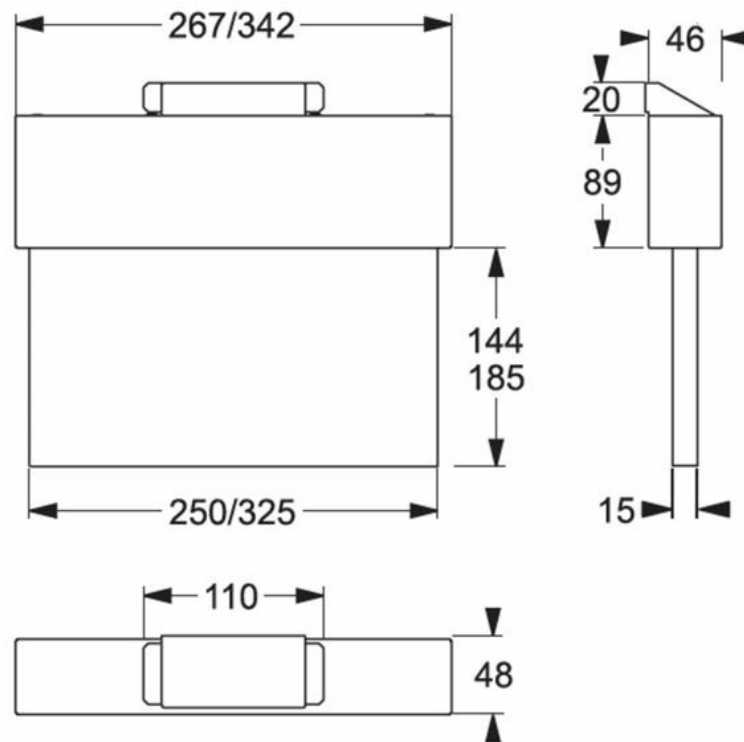
Versions for surface wall mounting and surface ceiling mounting or with accessories for recessed ceiling mounting, wire & rod suspension and bracket mounting.

Product category: Exit Signs

FEATURES

Application	Offices, Public Areas, Shops, Safety Signs
Colours (RAL)	White RAL 9003, Stainless Steel V2A
IP Rating	IP21
Material	White Sheet Steel/Stainless Steel (Housing), White Sheet Steel/Stainless Steel (Aperture), Printed Methacrylate (Display Pane)
Mounting Options	Surface Wall (Single Sided), Surface Ceiling, Recessed Ceiling, Wire & Rod Suspension, Bracket Suspension (Double Sided)
Visibility (m)	22m, 30m
Voltage (v)	230v, 24v DC*

*Sicuro24 System



Surface wall mounting

ACCESSORIES SUPPLIED

Order Code	Description
F95951	Adaptor for Wall Mounting, White (VD 22m, 30m)
F95958	Adaptor for Wall Mounting, Stainless Steel (VD 22m, 30m)

TO BE ORDERED SEPARATELY

Order Code	Description
F95947	VD 22m Recessed Ceiling Mounting Kit, White
F95948	VD 30m Recessed Ceiling Mounting Kit, White
F95954	VD 22m Recessed Ceiling Mounting Kit, V2A
F95955	VD 30m Recessed Ceiling Mounting Kit, V2A
F95946	Wire Suspension: Max 1200mm, White (VD 22m, 30m)
F95953	Wire Suspension: Max 1200mm, V2A (VD 22m, 30m)
F95949	VD 22m Bracket Suspension, White
F95950	VD 30m Bracket Suspension, White
F95956	VD 22m Bracket Suspension, V2A
F95957	VD 30m Bracket Suspension, V2A
F95945	Suspension Rod, Round: 500mm, White (VD 22m, 30m)
F95952	Suspension Rod, Round: 500mm, V2A (VD 22m, 30m)
F95959	VD 22m Concrete Ceiling Box (Recessed Ceiling Mounting)
F95960	VD 30m Concrete Ceiling Box (Recessed Ceiling Mounting)
E16260M	VD 22m Exit Sign Pane (Down Arrow)
E16128M	VD 30m Exit Sign Pane (Down Arrow)
E16262	VD 22m Exit Sign Pane (Left Arrow)
E16130	VD 30m Exit Sign Pane (Left Arrow)
E16261	VD 22m Exit Sign Pane (Right Arrow)
E16129	VD 30m Exit Sign Pane (Right Arrow)
E16310M	VD 22m Double Sided Exit Sign Pane (Progress Down to the Right Indicating Change of Level)
E16318M	VD 30m Double Sided Exit Sign Pane (Progress Down to the Right Indicating Change of Level)
E16311M	VD 22m Double Sided Exit Sign Pane (Progress Up to the Right Indicating Change of Level)
E16319M	VD 30m Double Sided Exit Sign Pane (Progress Up to the Right Indicating Change of Level)
E16263M	VD 22m Exit Sign Pane (Up Arrow)
E16132M	VD 30m Exit Sign Pane (Up Arrow)
E16312M	VD 22m Double Sided Exit Sign Pane (Progress Down to the Left Indicating Change of Level)
E16320M	VD 30m Double Sided Exit Sign Pane (Progress Down to the Left Indicating Change of Level)
E16313M	VD 22m Double Sided Exit Sign Pane (Progress Up to the Left Indicating Change of Level)
E16321M	VD 30m Double Sided Exit Sign Pane (Progress Up to the Left Indicating Change of Level)

Order Code	Description
E16435	VD 30m Fire Extinguisher Safety Sign
E16436	VD 30m Fire Hose Safety Sign
E16437	VD 30m Call Point Safety Sign

CONTROL SYSTEM ORDER CODES

AUTO-TEST

Part No.	Description	Emergency Operation Mode	Duration	Battery	Luminous Flux in NM	AR Luminous Flux in NM	Luminous Flux in M	Ambient Temp	Protection Class	Net Weight
37000	LTO Single/Double Sided : 22m VD (White)	M/NM	1-3-8h	2 x LTO 7.2 V / 0.5 Ah	-	-	-	-20 °C to +50 °C		-
37006	LTO Single/Double Sided : 30m VD (White)	M/NM	1-3-8h	2 x LTO 7.2 V / 0.5 Ah	-	-	-	-20 °C to +50 °C		-
37003	LTO Single/Double Sided : 22m VD (Stainless Steel)	M/NM	1-3-8h	2 x LTO 7.2 V / 0.5 Ah	-	-	-	-20 °C to +50 °C		-
37009	LTO Single/Double Sided : 30m VD (Stainless Steel)	M/NM	1-3-8h	2 x LTO 7.2 V / 0.5 Ah	-	-	-	-20 °C to +50 °C		-
36000	Classic Single/Double Sided : 22m VD (White)	M/NM	1-3h	NiMh 7.2 V / 0.6 Ah	-	-	-	0 °C to +40 °C		-
36006	Classic Single/Double Sided : 30m VD (White)	M/NM	1-3h	NiMh 7.2 V / 0.6 Ah	-	-	-	0 °C to +40 °C		-
36003	Classic Single/Double Sided : 22m VD (Stainless Steel)	M/NM	1-3h	NiMh 7.2 V / 0.6 Ah	-	-	-	0 °C to +40 °C		-
36009	Classic Single/Double Sided : 30m VD (Stainless Steel)	M/NM	1-3h	NiMh 7.2 V / 0.6 Ah	-	-	-	0 °C to +40 °C		-

LOGICA SELF CONTAINED WIRED CENTRAL TESTING & MONITORING SYSTEM

Part No.	Description	Emergency Operation Mode	Duration	Battery	Luminous Flux in NM	AR Luminous Flux in NM	Luminous Flux in M	Ambient Temp	Protection Class	Net Weight
37001	LTO Single/Double Sided : 22m VD (White)	M/NM	1-3-8h	2 x LTO 7.2 V / 0.5 Ah	-	-	-	-20 °C to +50 °C		-
37007	LTO Single/Double Sided : 30m VD (White)	M/NM	1-3-8h	2 x LTO 7.2 V / 0.5 Ah	-	-	-	-20 °C to +50 °C		-
37004	LTO Single/Double Sided : 22m VD (Stainless Steel)	M/NM	1-3-8h	2 x LTO 7.2 V / 0.5 Ah	-	-	-	-20 °C to +50 °C		-
37010	LTO Single/Double Sided : 30m VD (Stainless Steel)	M/NM	1-3-8h	2 x LTO 7.2 V / 0.5 Ah	-	-	-	-20 °C to +50 °C		-
36001	Classic Single/Double Sided : 22m VD (White)	M/NM	1-3h	NiMh 7.2 V / 1.2 Ah	-	-	-	0 °C to +40 °C		-
36007	Classic Single/Double Sided : 30m VD (White)	M/NM	1-3h	NiMh 7.2 V / 1.2 Ah	-	-	-	0 °C to +40 °C		-
36004	Classic Single/Double Sided : 22m VD (Stainless Steel)	M/NM	1-3h	NiMh 7.2 V / 1.2 Ah	-	-	-	0 °C to +40 °C		-
36010	Classic Single/Double Sided : 30m VD (Stainless Steel)	M/NM	1-3h	NiMh 7.2 V / 1.2 Ah	-	-	-	0 °C to +40 °C		-

LOGICA FM SELF CONTAINED WIRELESS CENTRAL TESTING & MONITORING SYSTEM

Part No.	Description	Emergency Operation Mode	Duration	Battery	Luminous Flux in NM	AR Luminous Flux in NM	Luminous Flux in M	Ambient Temp	Protection Class	Net Weight
37002	LTO Single/Double Sided : 22m VD (White)	M/NM	1-3-8h	2 x LTO 7.2 V / 0.5 Ah	-	-	-	-20 °C to +50 °C		-
37008	LTO Single/Double Sided : 30m VD (White)	M/NM	1-3-8h	2 x LTO 7.2 V / 0.5 Ah	-	-	-	-20 °C to +50 °C		-
37005	LTO Single/Double Sided : 22m VD (Stainless Steel)	M/NM	1-3-8h	2 x LTO 7.2 V / 0.5 Ah	-	-	-	-20 °C to +50 °C		-
37011	LTO Single/Double Sided : 30m VD (Stainless Steel)	M/NM	1-3-8h	2 x LTO 7.2 V / 0.5 Ah	-	-	-	-20 °C to +50 °C		-
36002	Classic Single/Double Sided : 22m VD (White)	M/NM	1-3h	NiMh 7.2 V / 1.2 Ah	-	-	-	0 °C to +40 °C		-
36008	Classic Single/Double Sided : 30m VD (White)	M/NM	1-3h	NiMh 7.2 V / 1.2 Ah	-	-	-	0 °C to +40 °C		-
36005	Classic Single/Double Sided : 22m VD (Stainless Steel)	M/NM	1-3h	NiMh 7.2 V / 1.2 Ah	-	-	-	0 °C to +40 °C		-
36011	Classic Single/Double Sided : 30m VD (Stainless Steel)	M/NM	1-3h	NiMh 7.2 V / 1.2 Ah	-	-	-	0 °C to +40 °C		-

EVG NON ADDRESSABLE SLAVE LUMINAIRES

Part No.	Description	Mains Supply	Battery Supply	Power Consumption W.	Power Consumption VA	Luminous Flux	Ambient Temp	Protection Class	Net Weight
T93280E	Single/Double Sided : 22m VD (White)	198 V – 254 V / 50 Hz	110V - 276V	3.0W	5.0VA	-	-20 to + 40 °C		-
T93282E	Single/Double Sided : 30m VD (White)	198 V – 254 V / 50 Hz	110V - 276V	3.8W	6.0VA	-	-20 to + 40 °C		-
T93281E	Single/Double Sided : 22m VD (Stainless Steel)	198 V – 254 V / 50 Hz	110V - 276V	3.0W	5.0VA	-	-20 to + 40 °C		-
T93283E	Single/Double Sided : 30m VD (Stainless Steel)	198 V – 254 V / 50 Hz	110V - 276V	3.8W	6.0VA	-	-20 to + 40 °C		-

ALOG 216V AC/DC CENTRALISED BATTERY SYSTEM

Part No.	Description	Mains Supply	Battery Supply	Power Consumption W	Power Consumption VA	Luminous Flux	Ambient Temp	Protection Class	Net Weight
T93280A	Single/Double Sided : 22m VD (White)	198 V – 254 V / 50 Hz	176V - 276V	3.0W	5.0VA	-	-20 to +40 °C		-
T93282A	Single/Double Sided : 30m VD (White)	199 V – 254 V / 50 Hz	176V - 276V	3.8W	6.0VA	-	-20 to +40 °C		-
T93281A	Single/Double Sided : 22m VD (Stainless Steel)	198 V – 254 V / 50 Hz	176V - 276V	3.0W	5.0VA	-	-20 to +40 °C		-
T93283A	Single/Double Sided : 30m VD (Stainless Steel)	199 V – 254 V / 50 Hz	176V - 276V	3.8W	6.0VA	-	-20 to +40 °C		-

SICURO 24V DECENTRALISED BATTERY SYSTEM

Part No.	Description	Mains Supply	Battery Supply	Power Consumption W	Power Consumption VA	Luminous Flux	Ambient Temp	Protection Class	Net Weight
32000	Single/Double Sided : 22m VD (White)	24 V +/- 20% DC	24 V +/- 20% DC	2.2W	-	-	-20 °C to + 40 °C	III	-
32002	Single/Double Sided : 30m VD (White)	24 V +/- 20% DC	24 V +/- 20% DC	4.3W	-	-	-20 °C to + 40 °C	III	-
32001	Single/Double Sided : 22m VD (Stainless Steel)	24 V +/- 20% DC	24 V +/- 20% DC	2.2W	-	-	-20 °C to + 40 °C	III	-
32003	Single/Double Sided : 30m VD (Stainless Steel)	24 V +/- 20% DC	24 V +/- 20% DC	4.3W	-	-	-20 °C to + 40 °C	III	-

SICURO 230 216V AC/DC CENTRALISED BATTERY SYSTEM

Part No.	Description	Mains Supply	Battery Supply	Power Consumption W	Power Consumption VA	Luminous Flux	Ambient Temp	Protection Class	Net Weight
31000	Single/Double Sided : 22m VD (White)	198 V – 254 V / 50 Hz	176 V– 276 V	2.5W	5.8VA	-	-20 °C to + 40 °C		-
31002	Single/Double Sided : 30m VD (White)	198 V – 254 V / 50 Hz	176 V– 276 V	4.7W	9.4VA	-	-20 °C to + 40 °C		-
31001	Single/Double Sided : 22m VD (Stainless Steel)	198 V – 254 V / 50 Hz	176 V– 276 V	2.5W	5.8VA	-	-20 °C to + 40 °C		-
31003	Single/Double Sided : 30m VD (Stainless Steel)	198 V – 254 V / 50 Hz	176 V– 276 V	4.7W	9.4VA	-	-20 °C to + 40 °C		-

