

TRIANGLE LED



Emergency luminaire made of stainless steel housing in a triangular design with downwards-directed light emitting surfaces.

High power LED with lighting control through special lenses for asymmetrically-emitted light distribution (illumination of escape routes with 1 lux) or for symmetrically emitted light distribution (illumination of open areas with 0.5 lux).

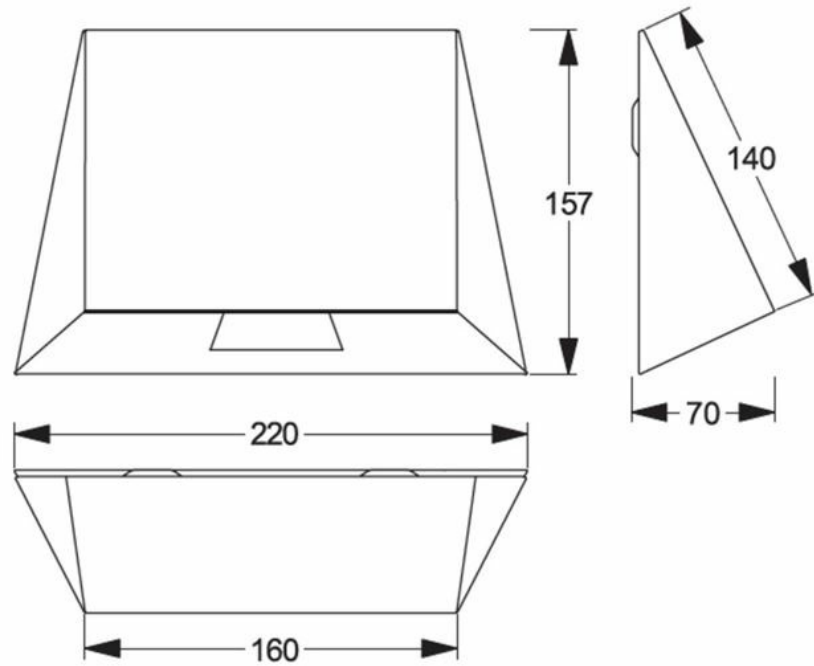
Versions for wall mounting or with accessories for bollards.

Product category: Luminaires

FEATURES

Application	Building Entrances, Building Façades, Courtyards, Paths
Colours (RAL)	White RAL 9003
IP Rating	IK09
IP Rating	IP65, IP66
Material	Sheet Steel or Stainless Steel (Housing), Transparent Methacrylate (Cover), Methacrylate (Lens)
Mounting Options	Surface Wall, Bollard
Voltage (v)	230v, 24v DC*

*Sicuro24 System



Surface wall mounting (S24, S230, classic)

TO BE ORDERED SEPARATELY

Order Code	Description
F95940	White Bollard
F95941	V2A Bollard

CONTROL SYSTEM ORDER CODES

AUTO-TEST

Part No.	Description	Emergency Operation Mode	Duration	Battery	Luminous Flux in NM	AR Luminous Flux in NM	Luminous Flux in M	Ambient Temp	Protection Class	Net Weight
37270	LTO White with 3 changeable lenses	MNM	1-3-8h	2 x LTO 7.2 V / 0.5 Ah	Escape Route 113lm/Open Area 124lm/High Ceiling 120lm	-	-	-20 °C to +50 °C		-
37273	LTO V2A with 3 changeable lenses	MNM	1-3-8h	2 x LTO 7.2 V / 0.5 Ah	Escape Route 113lm/Open Area 124lm/High Ceiling 120lm	-	-	-20 °C to +50 °C		-
36123	Classic White with 3 changeable lenses	MNM	1-3h	NiMH 7.2 V / 1.2 Ah	Escape Route 132lm/Open Area 144lm/High Ceiling 140lm	-	-	0 °C to +40 °C		-
36129	Classic V2A with 3 changeable lenses	MNM	1-3h	NiMH 7.2 V / 1.2 Ah	Escape Route 132lm/Open Area 144lm/High Ceiling 140lm	-	-	0 °C to +40 °C		-

LOGICA SELF CONTAINED WIRED CENTRAL TESTING & MONITORING SYSTEM

Part No.	Description	Emergency Operation Mode	Duration	Battery	Luminous Flux in NM	AR Luminous Flux in NM	Luminous Flux in M	Ambient Temp	Protection Class	Net Weight
37271	LTO White with 3 changeable lenses	MNM	1-3-8h	2 x LTO 7.2 V / 0.5 Ah	Escape Route 113lm/Open Area 124lm/High Ceiling 120lm	-	-	-20 °C to +50 °C		-
37274	LTO V2A with 3 changeable lenses	MNM	1-3-8h	2 x LTO 7.2 V / 0.5 Ah	Escape Route 113lm/Open Area 124lm/High Ceiling 120lm	-	-	-20 °C to +50 °C		-
36124	Classic White with 3 changeable lenses	MNM	1-3h	NiMH 7.2 V / 1.2 Ah	Escape Route 132lm/Open Area 144lm/High Ceiling 140lm	-	-	0 °C to + 40 °C		-
36130	Classic V2A with 3 changeable lenses	MNM	1-3h	NiMH 7.2 V / 1.2 Ah	Escape Route 132lm/Open Area 144lm/High Ceiling 140lm	-	-	0 °C to + 40 °C		-

LOGICA FM SELF CONTAINED WIRELESS CENTRAL TESTING & MONITORING SYSTEM

Part No.	Description	Emergency Operation Mode	Duration	Battery	Luminous Flux in NM	AR Luminous Flux in NM	Luminous Flux in M	Ambient Temp	Protection Class	Net Weight
37272	LTO White with 3 changeable lenses	MNM	1-3-8h	2 x LTO 7.2 V / 0.5 Ah	Escape Route 113lm/Open Area 124lm/High Ceiling 120lm	-	-	-20 °C to +50 °C		-
37275	LTO V2A with 3 changeable lenses	MNM	1-3-8h	2 x LTO 7.2 V / 0.5 Ah	Escape Route 113lm/Open Area 124lm/High Ceiling 120lm	-	-	-20 °C to +50 °C		-
36125	Classic White with 3 changeable lenses	MNM	1-3h	NiMH 7.2 V / 1.2 Ah	Escape Route 132lm/Open Area 144lm/High Ceiling 140lm	-	-	0 °C to + 40 °C		-
36131	Classic V2A with 3 changeable lenses	MNM	1-3h	NiMH 7.2 V / 1.2 Ah	Escape Route 132lm/Open Area 144lm/High Ceiling 140lm	-	-	0 °C to + 40 °C		-

SICURO 24V DECENTRALISED BATTERY SYSTEM

Part No.	Description	Mains Supply	Battery Supply	Power Consumption W.	Power Consumption VA	Luminous Flux	Ambient Temp	Protection Class	Net Weight
32057	24V Addressable Luminaire White with 3 changeable lenses	24 V +/- 20% DC	24 V +/- 20% DC	3.8W	-	Escape Route 196lm/Open Area 214lm/High Ceiling 209lm	-20 °C to + 40 °C	III	-
32058	24V Addressable Luminaire V2A with 3 changeable lenses	24 V +/- 20% DC	24 V +/- 20% DC	3.8W	-	Escape Route 196lm/Open Area 214lm/High Ceiling 209lm	-20 °C to + 40 °C	III	-

SICURO 230 216V AC/DC CENTRALISED BATTERY SYSTEM

Part No.	Description	Mains Supply	Battery Supply	Power Consumption W.	Power Consumption VA	Luminous Flux	Ambient Temp	Protection Class	Net Weight
31056	Addressable Luminaire White with 3 changeable lenses	198 V – 254 V / 50 Hz	176 V– 276 V	4.1W	8.3VA	Escape Route 196lm/Open Area 214lm/High Ceiling 209lm	-20 °C to + 40 °C	I	-
31057	Addressable Luminaire V2A with 3 changeable lenses	198 V – 254 V / 50 Hz	176 V– 276 V	4.1W	8.3VA	Escape Route 196lm/Open Area 214lm/High Ceiling 209lm	-20 °C to + 40 °C	I	-

