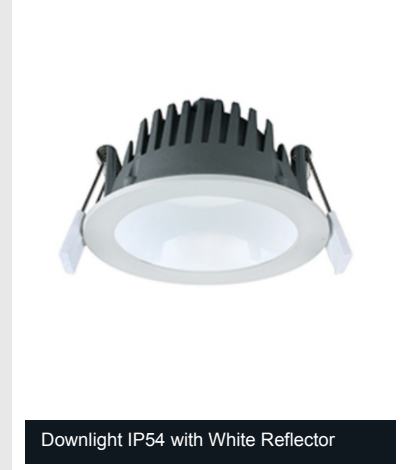
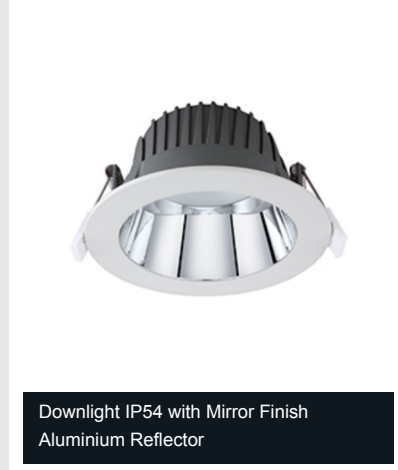


DOWNLIGHT LED IP54





Recessed LED luminaire with comfort optic (UGR<19), which is suitable for home and work applications.

The luminaire has an aluminium die-cast body (grey RAL 9016) combined with a white aluminium frame. The reflector is grey with a satin finish which provides optimal visual comfort for any type of application.

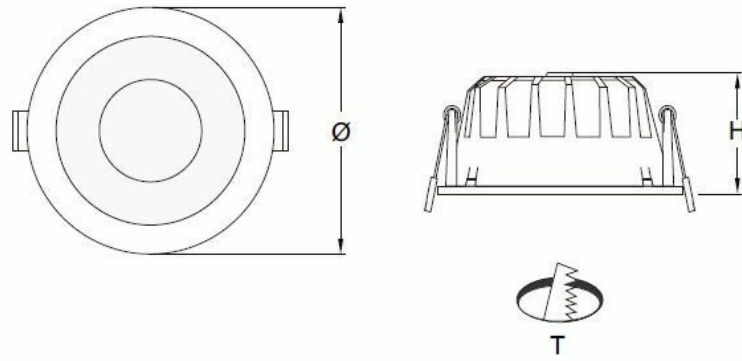
The luminaire is available with smart or standard drivers. The SD (Smart Driver) version can be equipped with a wide range of emergency lighting Inverter LED.

White or aluminium mirror finish reflectors are also available on request.

Product category: Recessed, Downlights, Indoor, LED

FEATURES

Application	Offices, Homes
Colour Rendering	>90
Colour Temp. (K)	4000K
Colours (RAL)	Grey RAL 9016 (Body), White (Frame)
Energy Class	A++
IP Rating	IP54
Material	Die-Cast Aluminium (Body)
Mounting Options	Recessed Plasterboard Ceiling
Optics	High Efficiency Satin Finish Aluminium (75°)
UGR	<19
Voltage	230V
Working Temperature	-20°C +40°C



Type Order	• Dimensions (mm) •Weight			kg
	Ø	H	T	
40324-40304	102	68	ø90	0.3
40325-40305	140	68	ø120	0.5
40326-40306	180	90	ø150	0.7
40327-40307	230	120	ø200	1.2

TO BE ORDERED SEPARATELY

Order Code	Description
20102	Building Automation Central Unit*
20124	Building Automation Central Unit + Wifi*
20104	2 Input Interface - Radio Transmitter*
15022	Building Automation Radio Module*
15024	DALI Module*
15034	1-10V Module*
19359	Inverter Plug & Light LED M/NM 3h Duration 20-60V
19355	Inverter LED AT/LG 6W 55V 1-3h Duration**
19390	Inverter LED Extreme AT/LG 10W 55V 0.75-8h LTO**
19391	Inverter LED Extreme AT/LG 10W 55V 0.75-8h LiFe**

*Smart Driver versions only **IP65 Cover (order code 19376) required for installation, LG technology Inverters can be turned into LGFM using accessory code 19375

CONTROL SYSTEM ORDER CODES

TRADITIONAL ECO DRIVER

Power W.	Order Code	Description	LED Power W.	Power Consumption W.	No LEDs	Flux of LEDs	Flux of Fixture	Luminous efficiency lm/W
10W	40304	DWL IP54 10W 75°C90 SAT ED 4K	9W	10W	-	1300lm	1100lm	110lm/W
15W	40305	DWL IP54 15W 75°C90 SAT ED 4K	13W	15W	-	2000lm	1650lm	110lm/W
25W	40306	DWL IP54 25W 75°C90 SAT ED 4K	22W	25W	-	3300lm	2750lm	110lm/W
35W	40307	DWL IP54 35W 75°C90 SAT ED 4K	31W	35W	-	4600lm	3850lm	110lm/W

SMART DRIVER

Power W.	Order Code	Description	LED Power W.	Power Consumption W.	No LEDs	Flux of LEDs	Flux of Fixture	Luminous efficiency lm/W
10W	40324	DWL IP54 10W 75°C90 SAT SD 4K	9W	10W	-	1300lm	1100lm	110lm/W
15W	40325	DWL IP54 15W 75°C90 SAT SD 4K	13W	15W	-	2000lm	1650lm	110lm/W
25W	40326	DWL IP54 25W 75°C90 SAT SD 4K	22W	25W	-	3300lm	2750lm	110lm/W
35W	40327	DWL IP54 35W 75°C90 SAT SD 4K	31W	35W	-	4600lm	3850lm	110lm/W